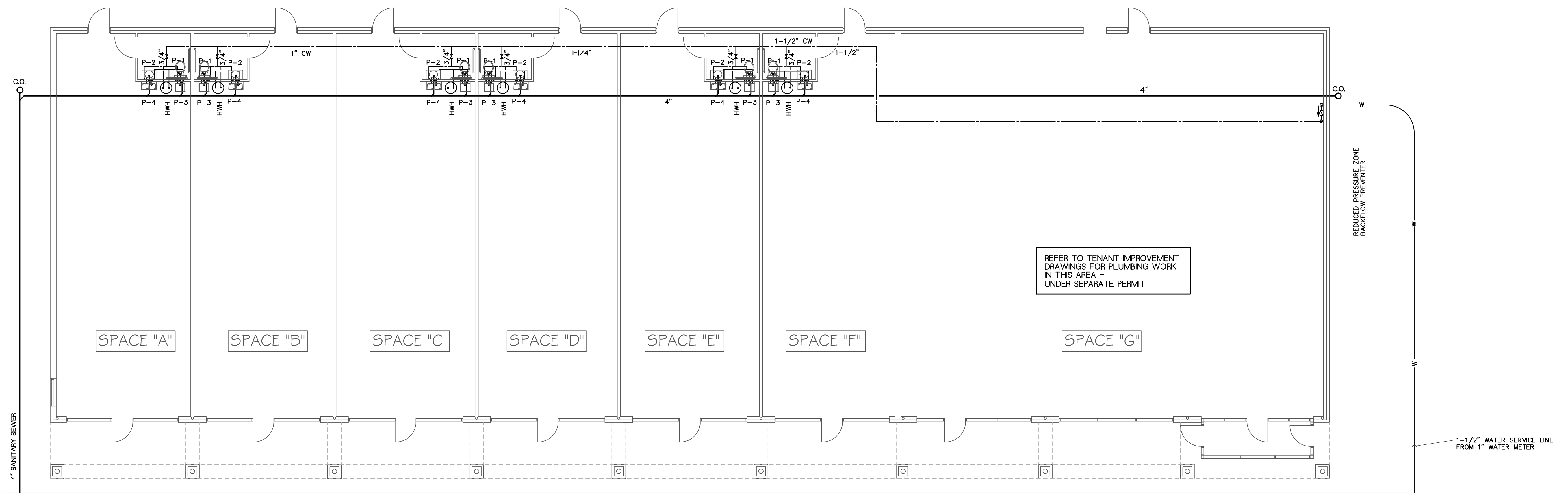
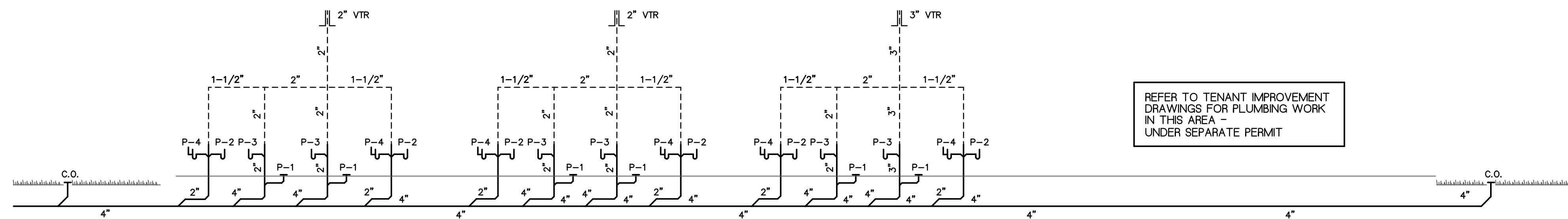


Friday, October 30, 2009



**PLUMBING FLOOR PLAN**

SCALE: 1/8" = 1' - 0"



**SANITARY RISER DIAGRAM**

NOT TO SCALE

**PLUMBING FIXTURE SCHEDULE**

No.	DESCRIPTION	MOUNTING	GAL. PER FLUSH	CONNECTIONS				FIXTURE MFR/MODEL	FITTING MFR/MODEL	REMARKS
				DRAIN	VENT	CW	HW			
P-1	ADA WATER CLOSET - TANK TYPE	FLOOR	16	3	2	1/2	—	AMERICAN STANDARD CADET SPECIFER 16-1/2"H - 2983.012	SUPPLY w/STOP: McGuire 159 LK	SEAT: CHURCH 3155-SCC, FIBERGLASS CLOSET BOLTS, WAX RING w/HORN BOLT CAPS. TRIP LEVER ON WIDE SIDE OF STALL (LEFT)
P-2	WALL HUNG LAVATORY w/ CENTERSET SINGLE LEVER FAUCET & GRID STRAINER	WALL		1-1/2	1-1/2	1/2	1/2	AMERICAN STANDARD LUCERNE 20" x 18" - 0356.012 (4" CTRS)	FAUCET: AMERICAN STANDARD 2385.009 SUPPLIES w/STOPS: McGuire 2165 LK	1-1/2" 17 GA. P-TRAP & TRUEBRO MODEL 102-G
P-3	FIBERGLASS SERVICE SINK (LAUNDRY TRAY)			2	1-1/2	1/2	1/2	FIAT FL-1	SUPPLIES w/STOPS: McGuire 2165 LK PROVIDE LAUNDRY SINK FAUCET	
P-4	ADA DUAL HEIGHT WATER COOLER			1-1/2	1-1/2	1/2	—	OASIS BARRIER FREE SPLIT LEVEL MODEL PBAMSL (7.8 GPH)		
HW	WATER HEATER - 12 GAL. ELECTRIC - 1500 W.					3/4	3/4	AMERICAN E61-12U-0155V	MOUNT ON SHELF OVER P-3	RELIEF VALVE: WATTS 40-XL + No. 36-N w/ AMTROL THERM-X-TROL ST-5
CO	CLEAN-OUT							WALL SMITH 4472   FLOOR SMITH 4051   EXTERIOR SMITH 4291		
WH	WALL HYDRANT - QUARTER TURN w/ VAC. BRKR.					3/4		JAY R. SMITH 5609-QT		

**NOTES:**

1. WORK SHALL COMPLY WITH VIRGINIA UNIFORM STATEWIDE BUILDING CODE.
2. DRAINAGE AND VENT PIPING SHALL BE SCHEDULE 40 PVC, SOLVENT WELDED.
3. DOMESTIC WATER PIPING SHALL BE TYPE L COPPER, w/NO-LEAD SOLDER OR SCHEDULE 40 CPVC (w/YELLOW STRIPE) w/SOLVENT WELD JOINTS.
4. INSULATE DOMESTIC WATER PIPING w/3/4" THICKNESS OF FOAM PIPE INSULATION.